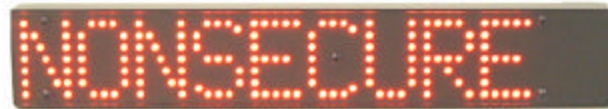




Market Central, Inc.

SECURE/NONSECURE LED SIGN USER MANUAL

December 2012



Wall Mount Part Number: 51-01198



1U Rack Mount Part Number: 51-01196

19 North Main Street, Houston, PA 15342
Phone: (412) 494-2800, Fax: (412) 494-5550
www.secureswitch.com CAGE Code 1BGJ7

© Copyright 2012. Market Central, Inc. All rights Reserved.

1. Specifications

Power:

12 VDC @ 400 mA max from included desktop style 100-240 VAC input 12 VDC output supply.

Size:

Wall Mount Version - 1.7"H x 9.9"W x 0.7"D

Rack Mount Version - 1.74"H x 19.0"W x 1.825"D

Weight:

1 lb including external power supply

Connectors :

(2) RJ45 connectors - one side entry connector and one rear entry connector wired in parallel

Cable Requirements:

Maximum recommended resistance for the power or the control signal leads is 30 ohms. Higher resistances will result in diminished LED brightness.

Leads Supported:

Pins 4 or 5 - connect either or both pins 4 & 5 to the positive output of the 12 VDC power supply to provide a source of power to the sign.

Pins 1 or 2 - connect either or both pins 1 & 2 to the power supply ground to cause the word "SECURE" to illuminate.

Pins 3 or 6 - connect either or both pins 3 & 6 to the power supply ground to cause the word "NONSECURE" to illuminate.

Note: Using 2 leads and/or heavier gauge wires for the power & control signals reduces the resistance of the interconnect cable, allowing the sign to be located further from the SecureSwitch.

2. Introduction

The SECURE/NONSECURE LED sign provides a means of displaying the security level of a video teleconference or similar session. It is designed to connect directly to the status output dry contact closure interface on the revision B and revision C SecureSwitch products, or it can be controlled via dry contact closures from a programmable controller or other device. RJ45 connectors on the side of the sign and on the rear of the sign are wired in parallel, and are used to supply the power and control signals needed to operate the sign.

3. Installation & Operation

The SECURE/NONSECURE LED sign has been designed to be mounted to any flat surface. If mounting to a wall or similar surface, remove the 5 screws holding the front panel to the enclosure. Using the provided dry wall anchors, secure the sign to the wall thru the holes in the back of the sign enclosure, then reattach the front panel. Alternatively, you can use the supplied Velcro tape to attach the sign directly to the front of the SecureSwitch product or to other surfaces.

Using an RJ45 cable, connect the positive output from the 12VDC supply to either pin 4 or 5 on either the side or rear RJ45 connector of the sign. To illuminate the word "SECURE" connect either pin 1 or 2 on either RJ45 connector to the ground output of the power supply. To illuminate the word "NONSECURE" connect either pin 3 or 6 on either RJ45 connector to the ground output of the power supply.

As an example, to display the word "SECURE" when port C on the SecureSwitch is selected, and to display the word "NONSECURE" when port A is selected, make the following connections:

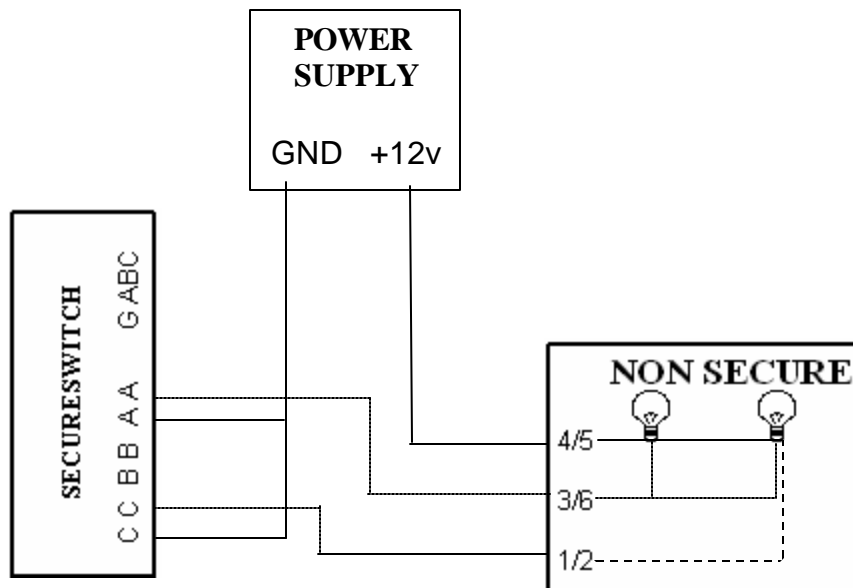
Connect the GND lead of the power supply to one "A" status output and to one "C" status output on the SecureSwitch.

Connect the other "A" status output on the SecureSwitch to pins 3/6 of the RJ45 connector on the sign, and connect the other "C" output to pins 1/2 on the sign.

Connect the +12 VDC lead on the power supply to pins 4/5 on the sign.

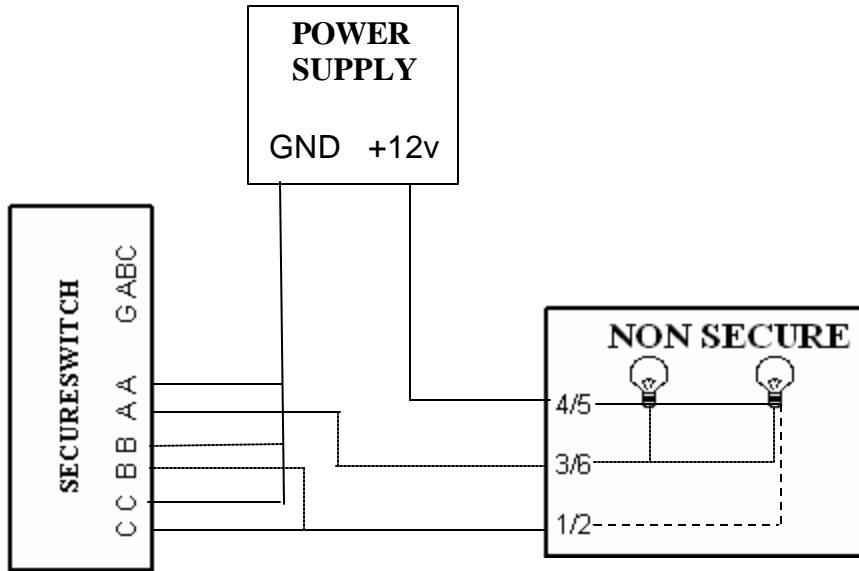
NOTE: Either of the two unused screw terminals (pins 3 and 6) on the SecureSwitch status output connector can be used as a convenient place to make the wire connection between the positive lead from the power supply and the pin 4/5 leads for the RJ45 cable that connects to the sign.

In the above example, when port A on the SecureSwitch is selected, the A-A status output relay closes connecting ground of the power supply to pins 3/6 on the sign, causing the word "NONSECURE" to be displayed. Likewise, the word "SECURE" is displayed when port C on the SecureSwitch is selected. The sign will remain blank (OFF) when port B on the SecureSwitch is selected (see example wiring diagram on next page).

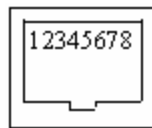


Example 1 Wiring Connections

As a second example, if your application requires the sign to display the word "NONSECURE" when port A is selected and to display the word "SECURE" when the SecureSwitch has either port B or port C selected, simply connect the two "B" contacts in parallel to the two "C" contacts as shown below.



Example 2 Wiring Connections



RJ45 Jack pinout (looking into opening)

WARRANTY AND LIMITATION OF LIABILITY

Market Central Inc warrants that the products manufactured and sold by it or by one of its authorized resellers will, when sold, be free of defects in workmanship or material under normal service and use. Products which have been changed or altered in any manner from their original design, or which are improperly or defectively installed, serviced or used, are not covered by this warranty. If any failure to conform to this warranty becomes apparent during a period of one (1) year after date of sale, Market Central shall, upon prompt, written notice and compliance by the customer with such instructions as it shall give with respect to the return of defective products or parts, correct such non-conformity by repair or replacement of the defective part or parts. Correction in the manner provided above shall constitute a complete fulfillment of all obligations and liabilities of Market Central with respect to the quality of said products.

THE FOREGOING WARRANTY IS EXCLUSIVE AND IN LIEU OF ALL OTHER WARRANTIES OF QUALITY, WHETHER WRITTEN, ORAL OR IMPLIED, INCLUDING, WITHOUT LIMITATION, ANY WARRANTY OF MERCHANTABILITY OR FITNESS FOR PURPOSE. THIS WARRANTY AND THE OBLIGATIONS AND LIABILITIES OF MARKET CENTRAL HEREUNDER ARE EXCLUSIVE AND IN LIEU OF AND BUYER HEREBY WAIVES ALL OTHER REMEDIES, WARRANTIES, GUARANTIES OR LIABILITIES, EXPRESS OR IMPLIED, ARISING BY LAW OR OTHERWISE (INCLUDING WITHOUT LIMITATION ANY OBLIGATIONS OF MARKET CENTRAL WITH RESPECT TO FITNESS FOR PURPOSE, MERCHANTABILITY AND INDIRECT, SPECIAL OR CONSEQUENTIAL DAMAGES OR LOST PROFITS) OR WHETHER OR NOR OCCASIONED BY MARKET CENTRAL'S NEGLIGENCE. THIS WARRANTY SHALL NOT BE EXTENDED, ALTERED OR VARIED EXCEPT BY A WRITTEN INSTRUMENT SIGNED BY A DULY AUTHORIZED OFFICER OF MARKET CENTRAL.